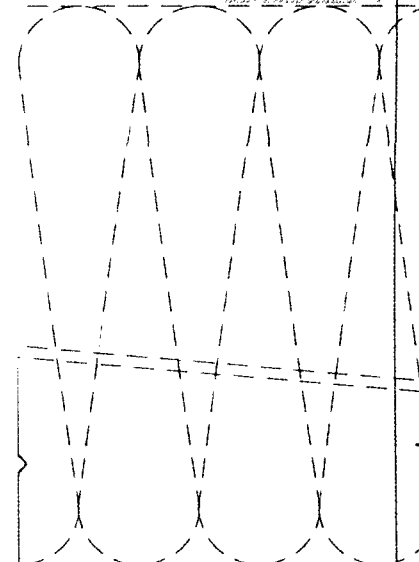
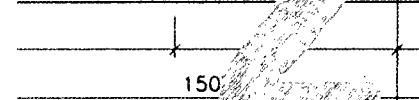
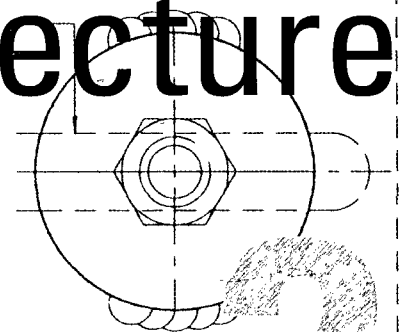
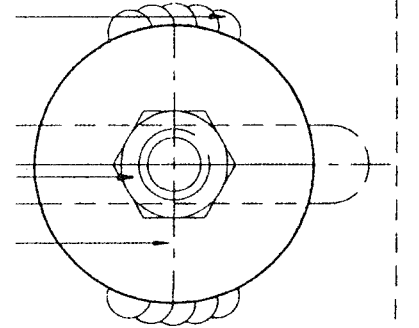
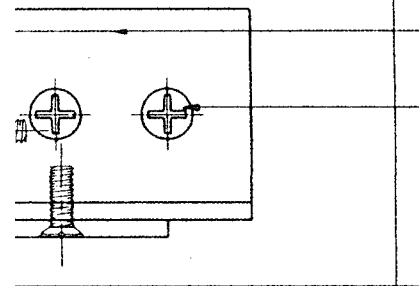


Details in Architecture

Creative Detailing

by some of the World's

Leading Architects



CONTENTS

ADP Architects/Paul Andreu	
Roof	10
Alfredo De Vido Architects	
Exposed Steel Construction	12
Ancher Mortlock Woolley Pty Ltd	
Cantilevered Glass Façade	14
Barton Myers Associates, Inc.	
Roll-Up Door and Roof	18
Bligh Voller Nield Pty Ltd	
Structural Steelwork	24
Botti Rubin Arquitetos Asociados	
Glass Façade	28
Building Design Partnership	
Façade Glazing	32
Glazed Roof	36
Tilted Glazed Wall	40
Cesar Pelli & Associates Inc	
Canopy and Wall	42
Curtain Wall	44
The Cox Group	
Eaves and Façade	48
Roof	50
Roof	54
Symbolic Flag	56
Crone Associates	
Façade	60
Podium Façade and Roof	62
Street Awning	66
DEM Design Pty Ltd	
Canopy, Stair and Rail	68
DiLeonardo International, Inc.	
Ceiling, Column Capital and Handrail	70
Coffer and Mouldings	74
Dominique Perrault Architect	
Olympic Velodrome Roof	76
Skylight Platform	80
Environment Design Institute	
Wooden Suspension Bridge	82
Arkkitehtitoimisto Esa Piironen Oy	
Glass Roof, Walls and Canopy	84

CONTENTS

Fentress Bradburn Architects Ltd	
Skylight Inset and Cable Truss System	86
R N Ferrer & Associates, Inc.	
Windows	88
Flad & Associates	
Greenhouses	92
GMW Partnership	
Entrance Pavilion and Reception Desk	94
Nicholas Grimshaw & Partners	
Truss	98
Jeff Harnar Architects	
Greenhouse	100
Hubert-Jan Henket architecten bna	
Glass Bridge	106
Mullions	108
Ventilation	110
Ingenhoven Overdiek und Partner	
Exhibition Stands	114
Kengo Kuma & Associates	
Bench and Counter	120
Kisho Kurokawa Architect & Associates	
Ceiling	126
Exterior Skylight	130
Handrail	132
Roof	134
Roof and Column Structure	136
R.M.Kliment & Frances Halsband Architects	
Entrance Pavilion	138
Kunchook-Moonhwa Architects & Engineers	
Pond and Waterfall	142
KVA Architects Ltd	
Canopy, Coat Racks and Reception Counter	146
Kyu Sung Woo Architect, Inc.	
Gallery	150
Lohan Associates	
Walkway, Canopy and Reception	154
Mitchell/Giurgola Architects	
Entrance Canopy	158
Roof Trellis	160

Morris Architects		
Guardrail		162
Murphy/Jahn Inc. Architects		
Mesh Façade		164
Roof		166
Niels Torp AS Architects MNAL		
Glass Wall		170
Rihs Architects Pty Ltd		
Elevator		172
Light Masts		174
Riken Yamamoto & Field Shop		
Heating/Cooling System		176
RMJM		
Curtain Wall		178
Screen		180
Robert Adam Architects		
Porte-Cochere		182
Samyn and Partners		
Arcs		184
Sottsass Associati		
House Section		188
Studiobowie		
Glazed Roof		192
STUDIOS Architecture		
Entrance Canopy		196
Steel Screens, Elevator Shaft and Stair		198
T. R. Hamzah & Yeang Sdn. Bhd.		
Canopy		200
Jean Paul Viguier Architecte		
Glazing		202
Williams & Boag Pty Ltd Architects		
Panel and Wall		204
Screen and Suspended Bulkhead		206
Elizabeth Wright Ingraham and Associates		
Wall		208
Wall and Canopy		210
INDEX		215